
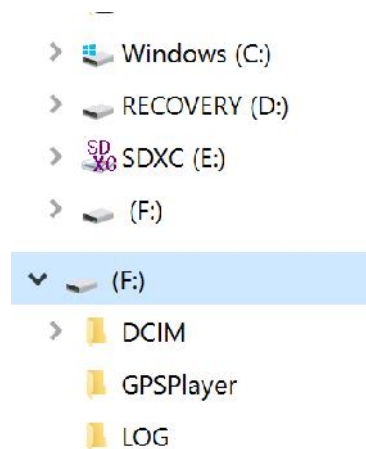




Quick Start Notes for the LE50 Body Camera

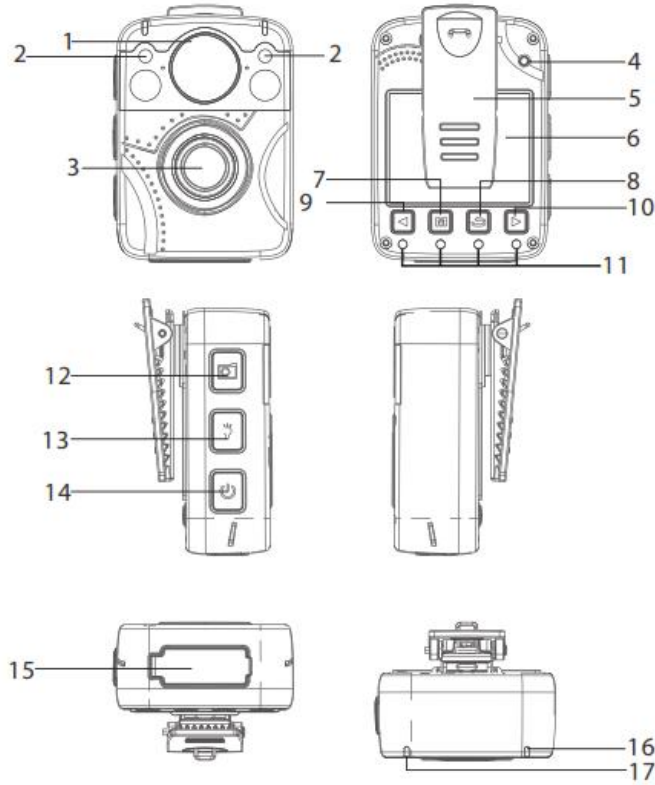
1. When you place the LE50 in the dock; it should “beep” and a red light turns on. If not, remove and replace the LE50 again
2. The DATE is set for MM/DD/YYYY
3. The DEVICE ID is set to Camera Serial Number
4. Record Alerts is set “on” – Verbal announcements – Option: On/Off
5. To save battery life; we have done the following:
 - a. SCREENSAVER is set to 1 minute – Turns the LCD off
 - b. AUTO POWER OFF is set to 2 minutes – To activate the LE50; press the button on front of the camera for 2 seconds. It will start recording.
6. When the LE50 is placed in the “Dock”; make sure you see the “red” light on the LE50 - means it’s charging.
7. To view videos on the LE50; turn on camera. Press the  - See Figure below. Item 8 on “Specifications” illustration below - Playback/Back second button on right side of camera. Click on Video or Picture and press [M] key.
8. To download videos / pictures; connect the dock to your Laptop / Desktop with the cable. Insert the LE50 Body Camera; It will beep 2 times. Look on your Laptop/Desktop



9. The computer automatically assigns a “Drive Letter” to your body camera (see above). Double click on “DCIM”; then double click on “100MEDIA” – All your videos and pictures will be located there.



Specifications



- 1. Lens
- 2. Fill-light
- 3. Video Recording Button
- 4. Reset Button
- 5. Clip
- 6. LCD Display
- 7. Menu/Confirm
- 8. Playback/Back
- 9. Up/Left
- 10. Down/Right
- 11. Dock Connector
- 12. Photo Button
- 13. Fill-Light Switch/Tagging
- 14. Power On/Off
- 15. External Camera/PTT Socket
- 16. Working Indicator
- 17. Charging Indicator

Any questions: Joe Kosoglow – joe@forceprovideo.com – 713.471.8661